

Product information

92 01 05

Universal Tweezers



- Universal Tweezers are suitable for demanding standard applications and precision tasks
- Wide range of designs: straight, angled, gripping surfaces and handles smooth or serrated, with needle points, narrow or blunt tips, as well as different lengths
- For the electronics industry, watchmakers and jewellers
- High quality stainless steel: extremely tough and very good corrosion resistance against a variety of atmospheric environments and many corrosive materials
- Premium stainless steel

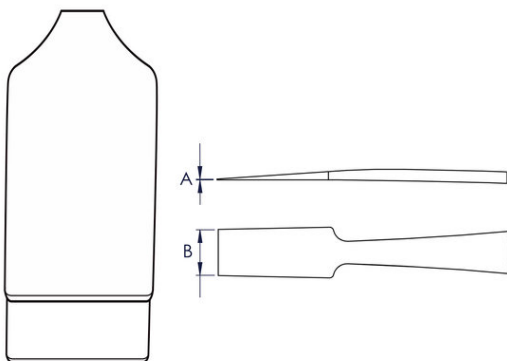


General

Article No.	92 01 05
EAN	4003773086758
Material	premium stainless steel
Gripping surfaces	smooth gripping surfaces
Weight	16 g
Dimensions	120 x 10 x 12 mm
Reach	no
RohS	no

Technical details

Tips width (A)	0.17 mm
Tips width (B)	6 mm
Corrosion-resistant	yes
	no
VDE tested	no
sectors	Industry electronics



Classification

eCl@ss 5.1.4	21040500
ETIM 5.0	EC000182
ETIM 6.0	EC000182
proficl@ss 6.0	EAB696c019

technical change and errors excepted

